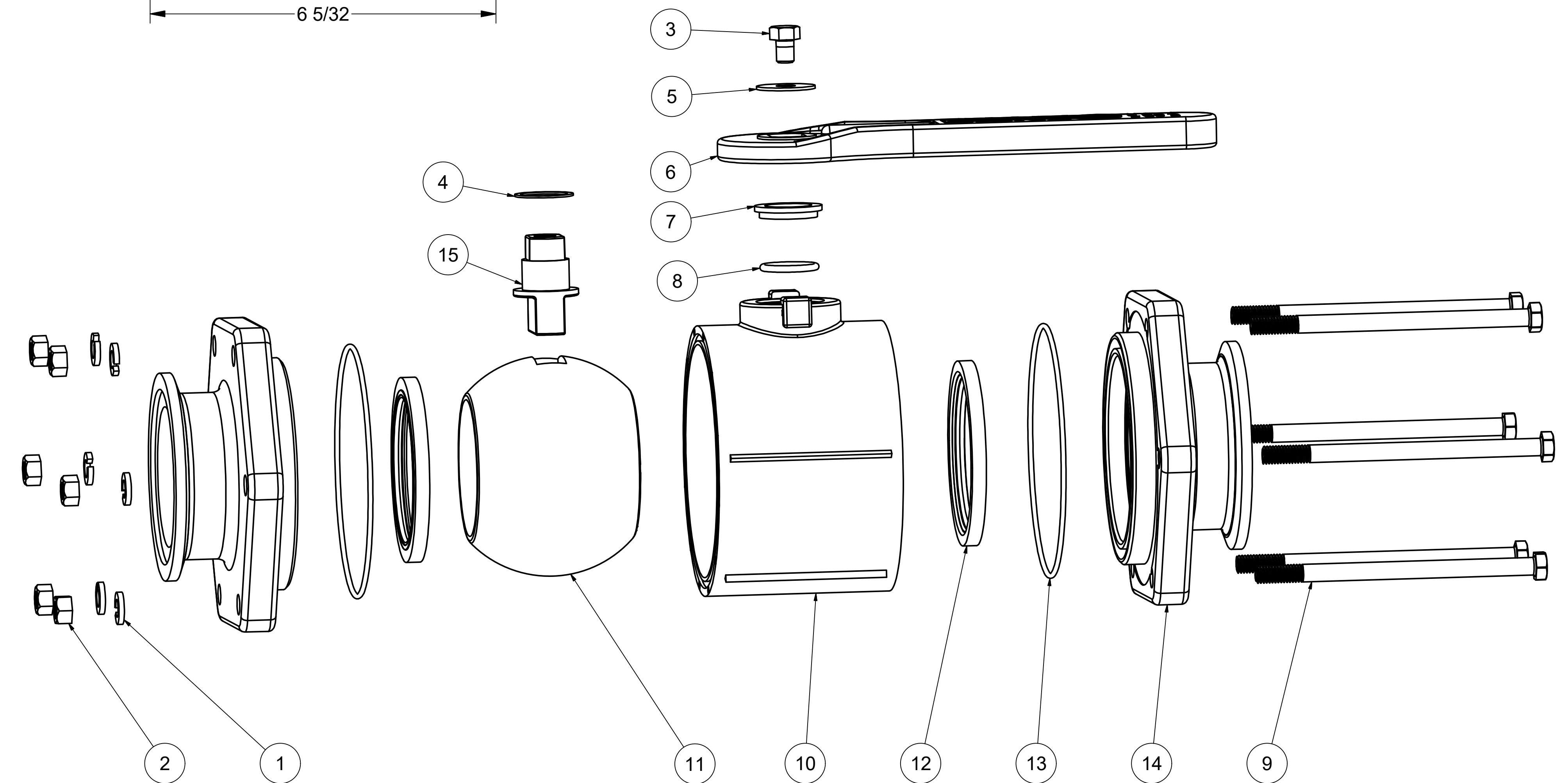
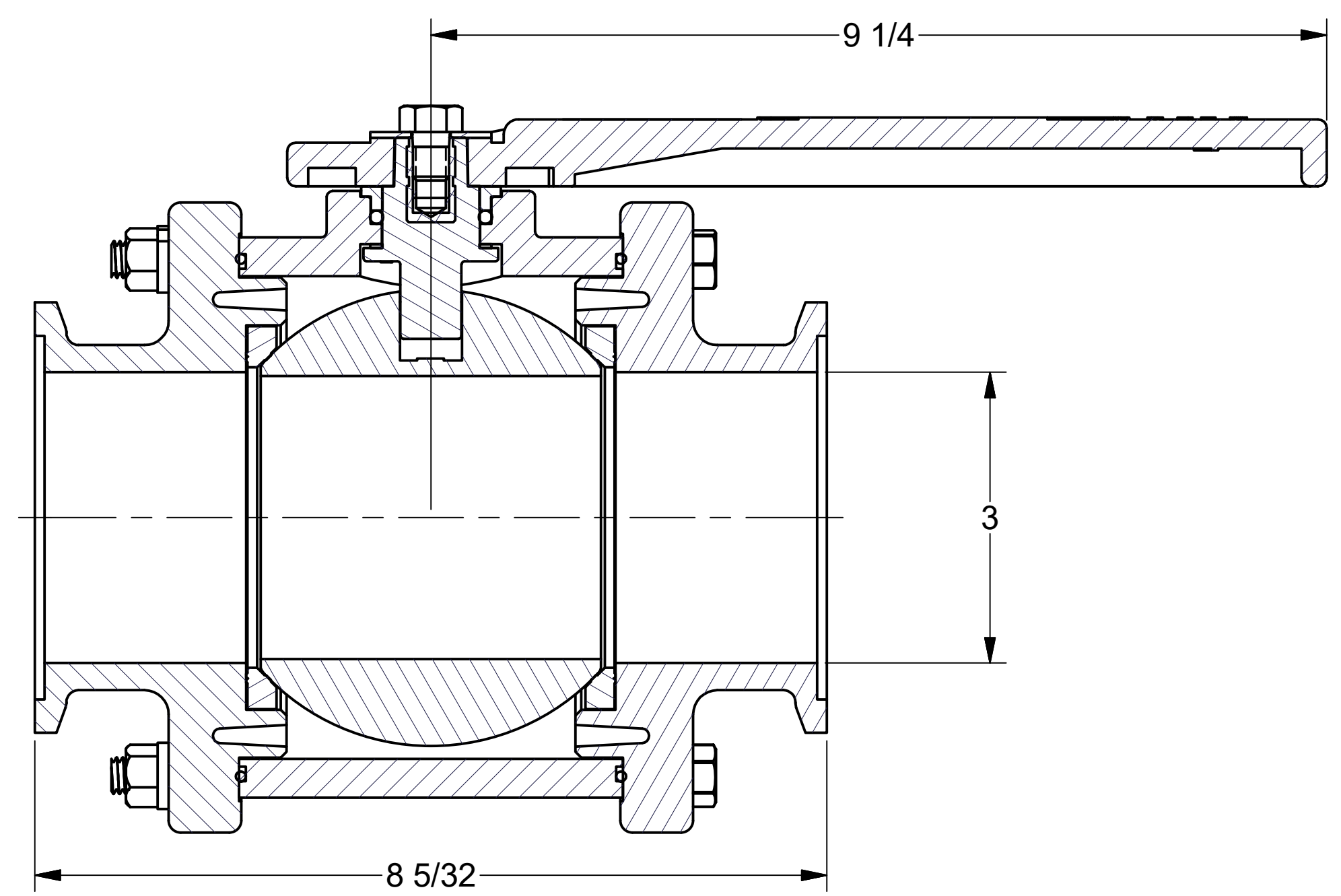
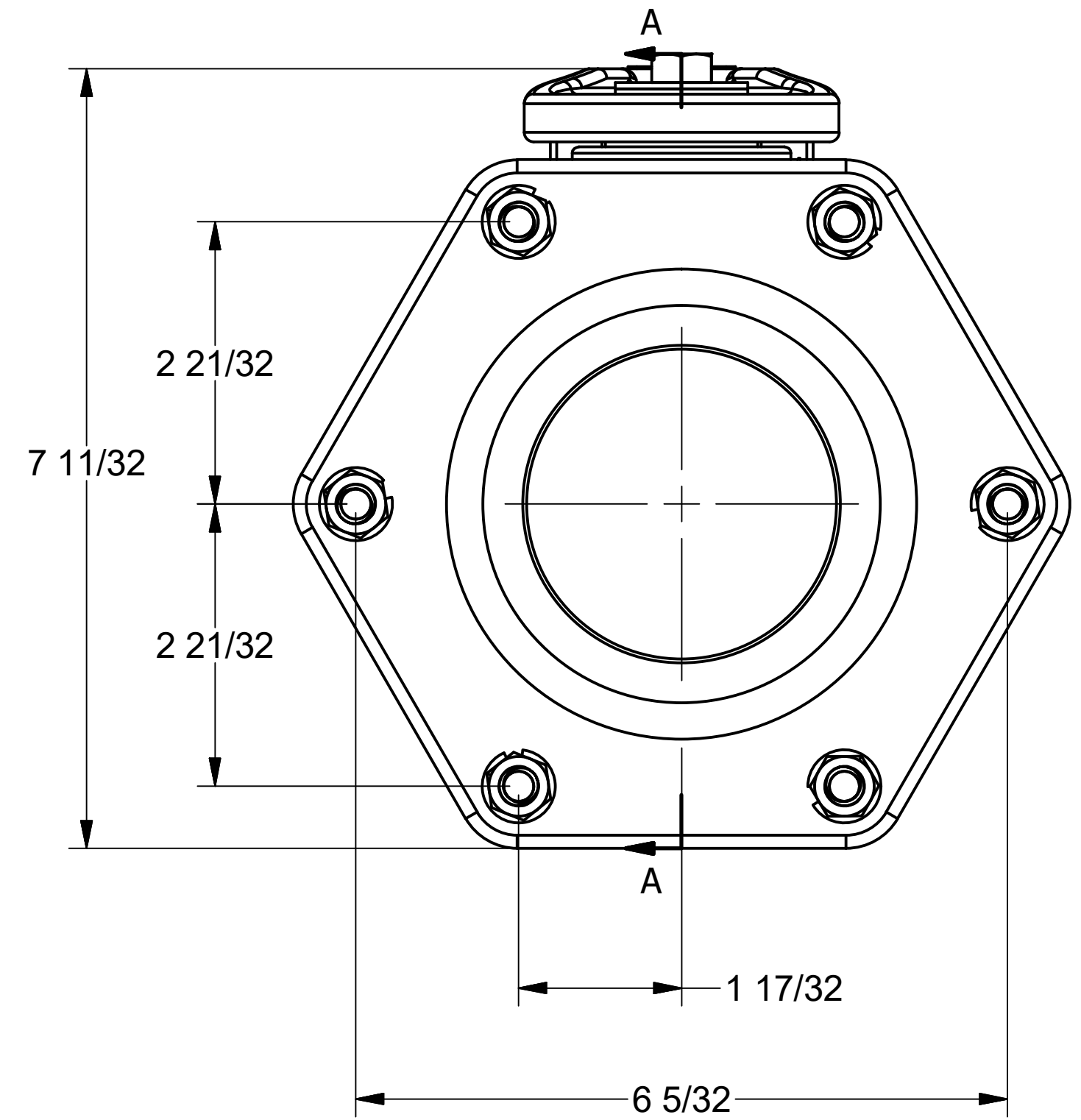


Parts List			
ITEM	QTY	PART NUMBER	DESCRIPTION
1	6	V20018	3/8" LOCKWASHER
2	6	V20019	3/8" HEX NUT
3	1	V25020	3/8" Handle Bolt
4	1	V25060	VALVE STEM THRUST BEARING
5	1	V25121	3/8" Fender Washer
6	1	V25153	2" FP Handle
7	1	V25160	Stem Bushing
8	1	V25163	#214 FKM O'RING
9	6	V35017	3/8"-16 x 6" HHCS, 18-8SS
10	1	V35254	3" FP VALVE BODY
11	1	V35255A	3" Full Port Ball
12	2	V35258A	3" FP Ball Seat
13	2	V35265	3" FP body O-ring FKM
14	2	V35278	3" FP MANIFOLD END PLATE
15	1	V30151	STEM 3" FP, 4"



THIS DRAWING AND ALL INFORMATION CONTAINED THEREON ARE THE EXCLUSIVE PROPERTY OF BANJO CORPORATION.

UNLESS SPECIFICALLY NOTED, THIS DRAWING AND ITEMS SHOWN ON THIS DRAWING ARE SUBJECT TO CHANGE AT ANY TIME.



BANJO CORPORATION

BANJO CORPORATION
150 BANJO DRIVE, CRAWFORDSVILLE, IN 47933
WEB SITE: WWW.BANJOCORP.COM
E-MAIL: BANJOSALES@IDEXCORP.COM

DESCRIPTION	3" FP MANIFOLD VALVE
PART NUMBER	MV300CF